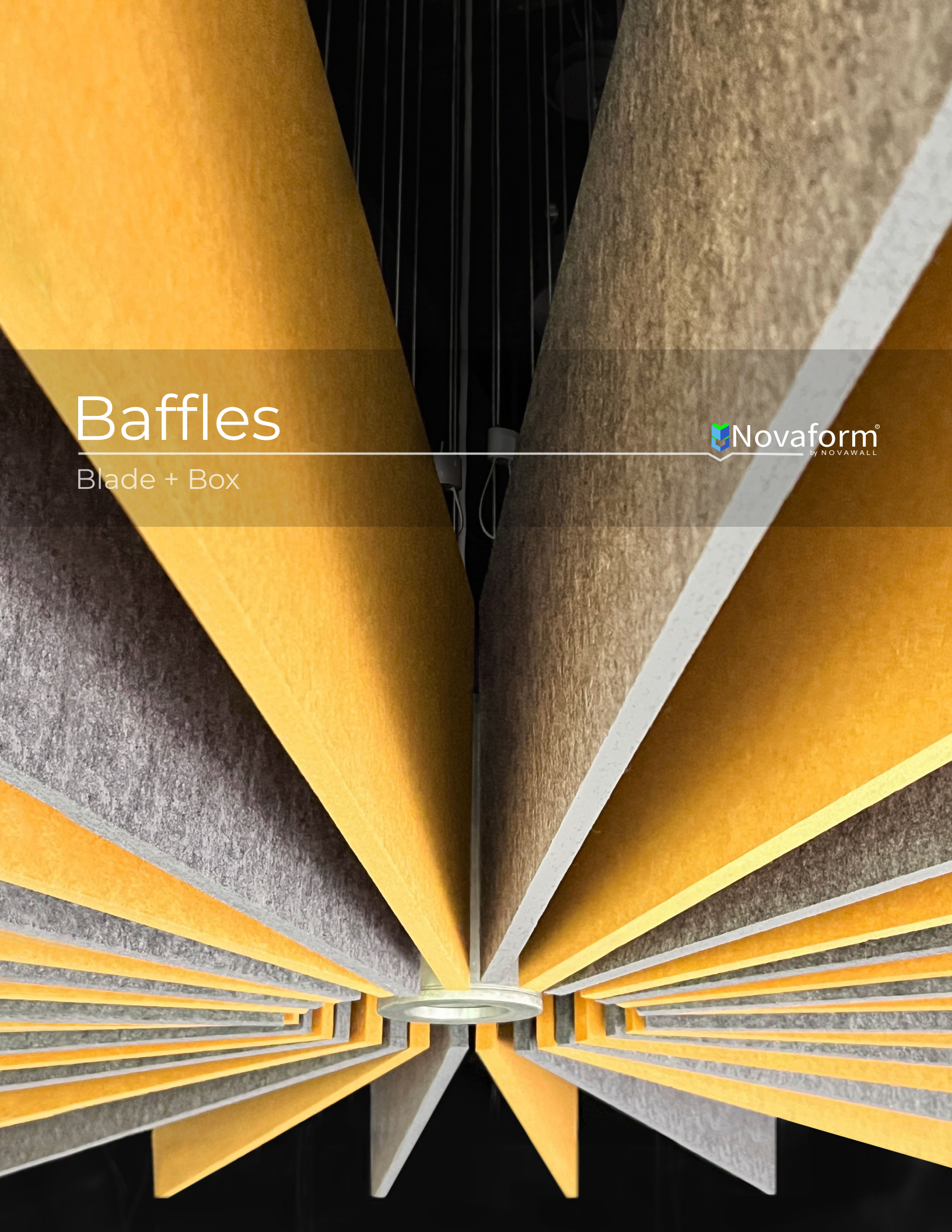
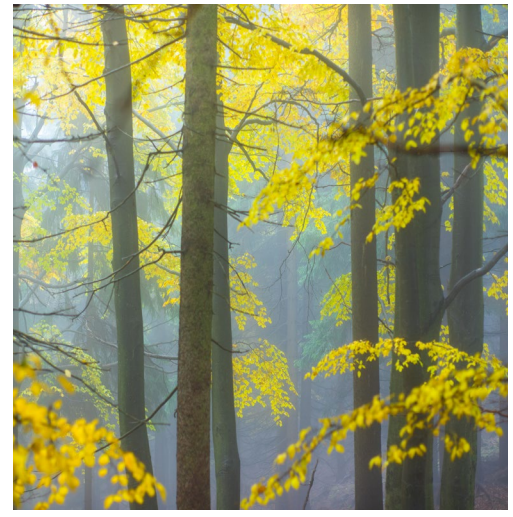


Baffles

Blade + Box

 Novaform[®]
by NOVAWALL





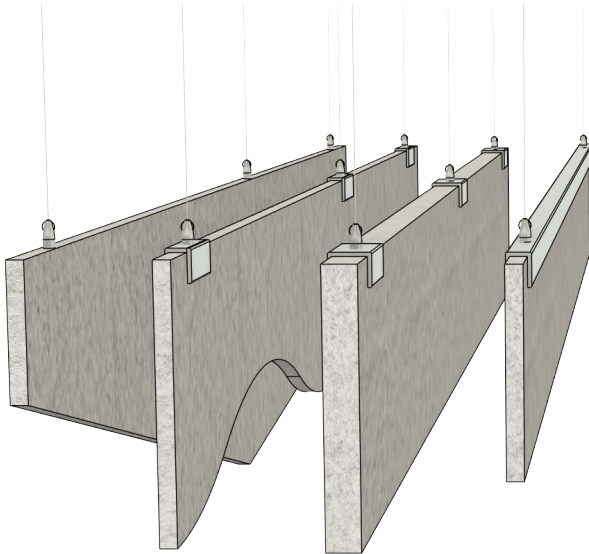
Baffles

There's nothing like walking through the woods under a quiet protective tree canopy. The staggered array of branches above disperses the sound as it travels upward, creating an open and empty soundscape. The resultant quiet and solitude leaves ample mental space to relax, breathe, and think.

Novaform baffles use the same principle of overhead sound dispersal to take a workplace from a roar to a respite, adding visual interest in the process.

Design

Blade Baffles



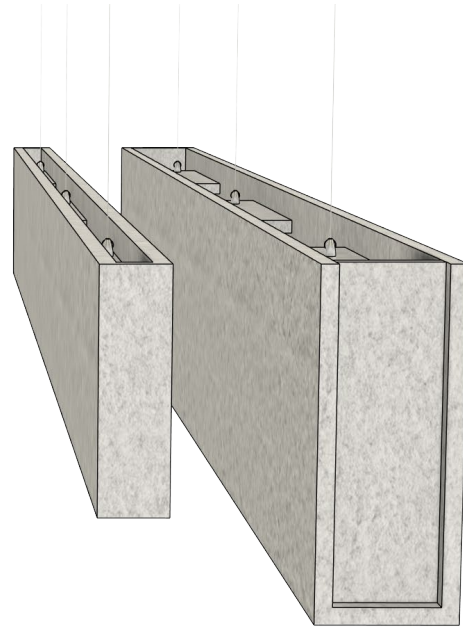
LURAY
1/2"W x 8"H
Panel Connectors

STRAIGHT
1"W x 8"H
Blade Bar Sections
Blade Bar Connectors

FLOW (Large)
1/2"W x 8"H
Blade Bar Sections
Blade Bar Connectors

STRAIGHT
1/2"W x 6"H
Full Blade Bar
Blade Bar Connectors

Box Baffles



CLOSED END
2"W X 7"H
Panel Connectors

INSET END
4"W x 10"H
Panel Connectors

Custom Sizes

Novaform PET Blade & Box Baffles are available in custom sizes to meet your project specifications. Contact us for more information.

Friction Fit

Novaform PET Box Baffles are designed using a friction fit system - no tape, no glue, no nails.

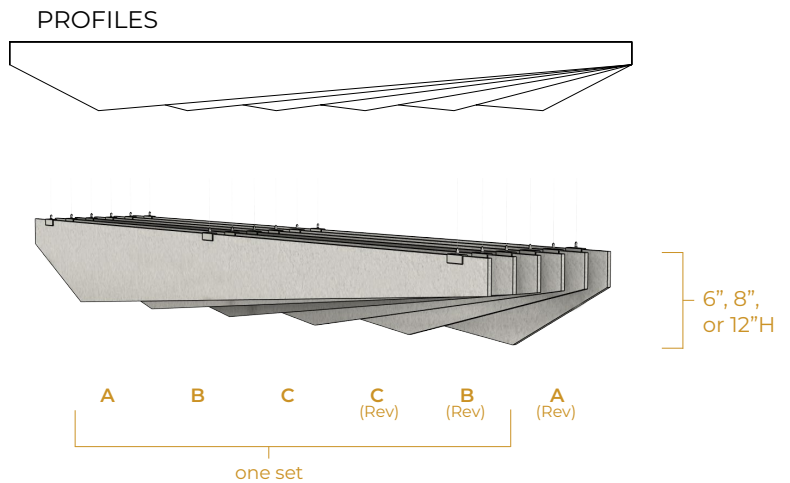
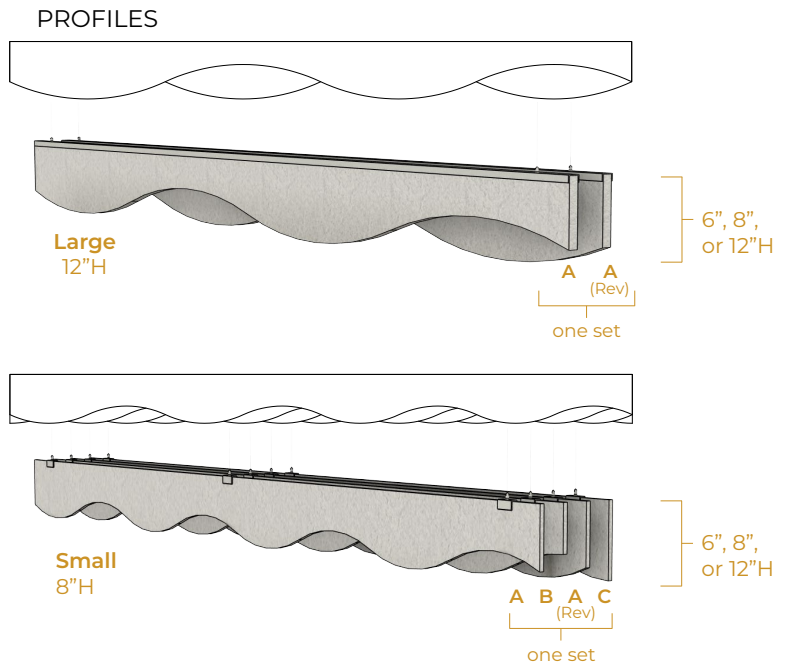
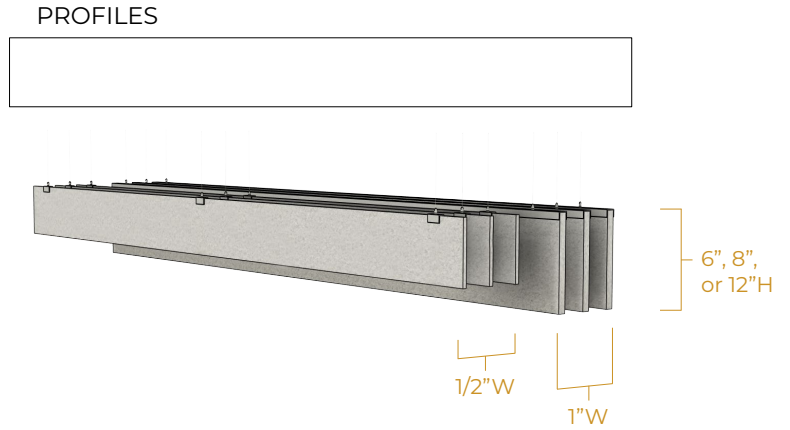
Environmental Commitment

Novawall Systems, Inc. is committed to our clients' needs and offers a product line that will promote the design and implementation of a healthy sustainable building with minimal impact on the environment, while remaining in complete compliance with fire and safety codes as well as maintaining superior product quality.



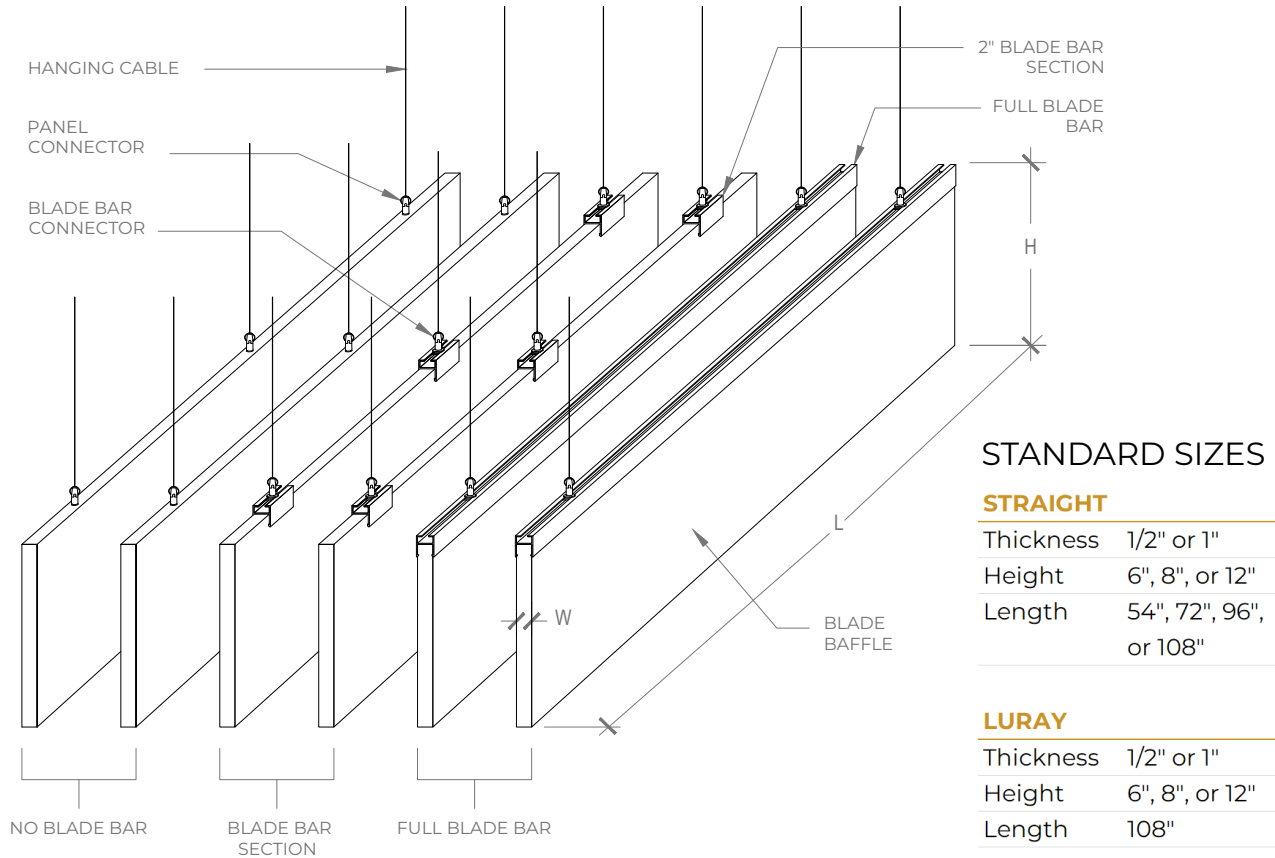
Every Novaform panel contains the recycled plastic equivalent of approximately 300 water bottles.

Blade Baffles



Blade Baffle Specs

ASSEMBLED PARTS



STANDARD SIZES

STRAIGHT

Thickness	1/2" or 1"
Height	6", 8", or 12"
Length	54", 72", 96", or 108"

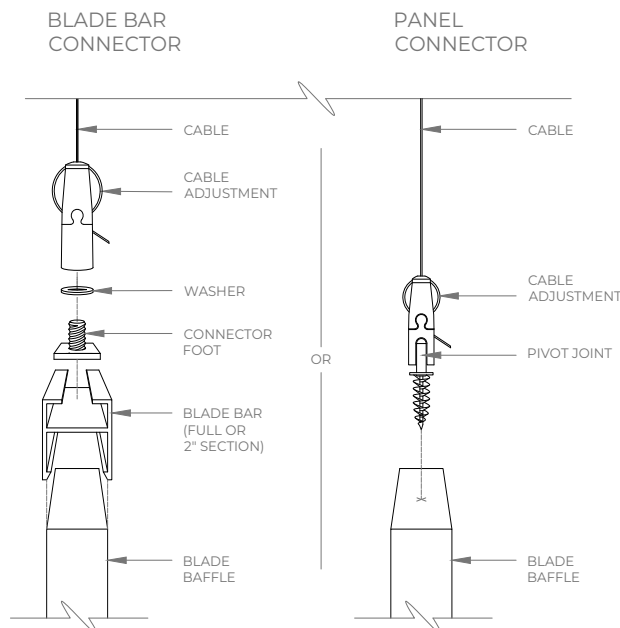
LURAY

Thickness	1/2" or 1"
Height	6", 8", or 12"
Length	108"

FLOW

Thickness	1/2" or 1"
Height	6", 8", or 12"
Length	108"

HARDWARE



NOTES

3 available profiles: Straight, Flow, & Luray.

24 colors + 4 woodgrain prints.

Connectors, per 9-foot baffle:

Full Blade Bar: 2 recommended.

Partial or no Blade Bar: 3 recommended to maintain alignment.

Blade Bar available in either 2-inch sections or in full lengths up to 9 feet.

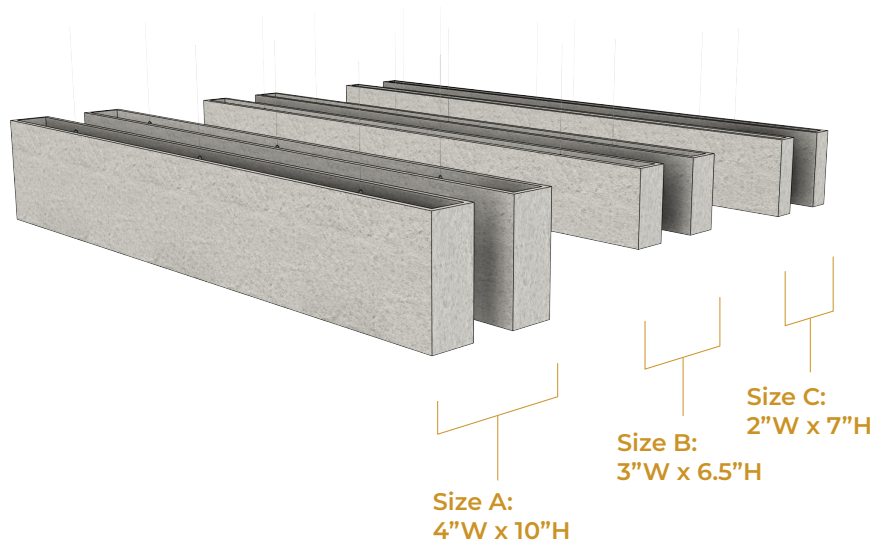
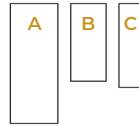
Baffles over 9 feet in length will be butt-joined.

Blade Bar standard finish is aluminum. Optional powder coating.

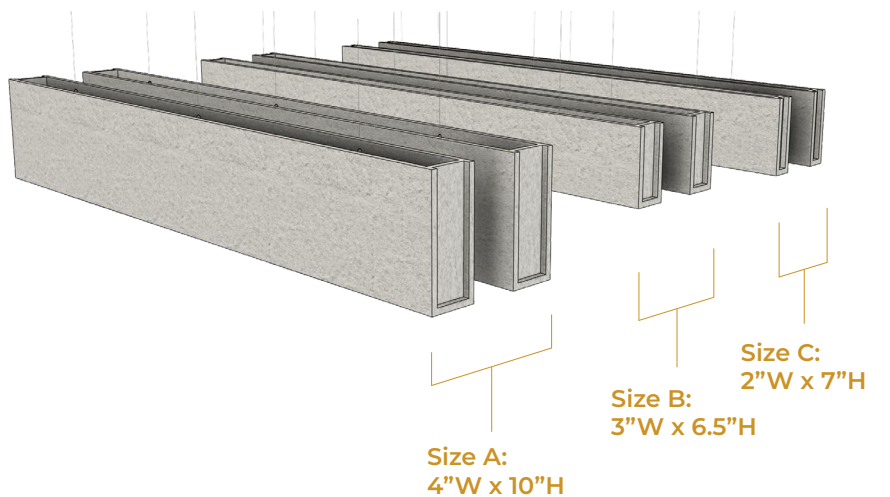
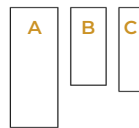
Box Baffles



PROFILES

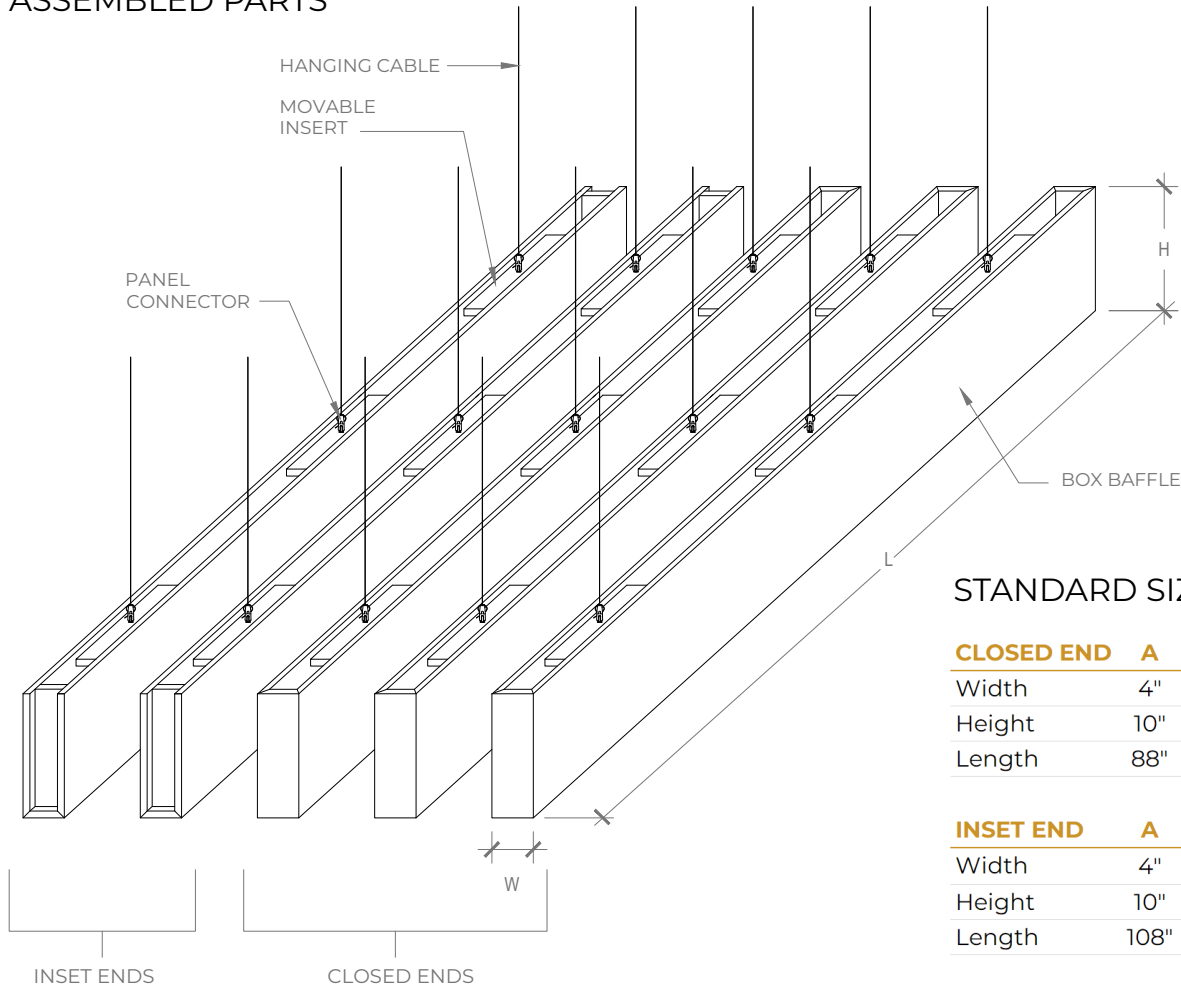


PROFILES



Box Baffles Specs

ASSEMBLED PARTS

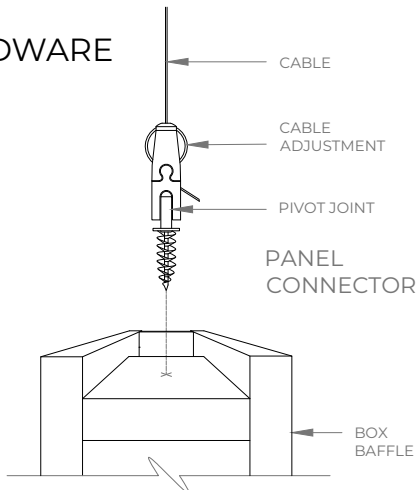


STANDARD SIZES

CLOSED END	A	B	C
Width	4"	3"	2"
Height	10"	6.5"	7"
Length	88"	95"	94"

INSET END	A	B	C
Width	4"	3"	2"
Height	10"	6.5"	7"
Length	108"	108"	108"

HARDWARE



NOTES

Available with closed or inset ends.

24 colors + 4 woodgrain prints.

3 Baffle Connectors per 9' baffle recommended.

Connectors and inserts can be adjusted in the field to accommodate field conditions.

A line of multiple baffles can be butt-joined for a unified appearance.

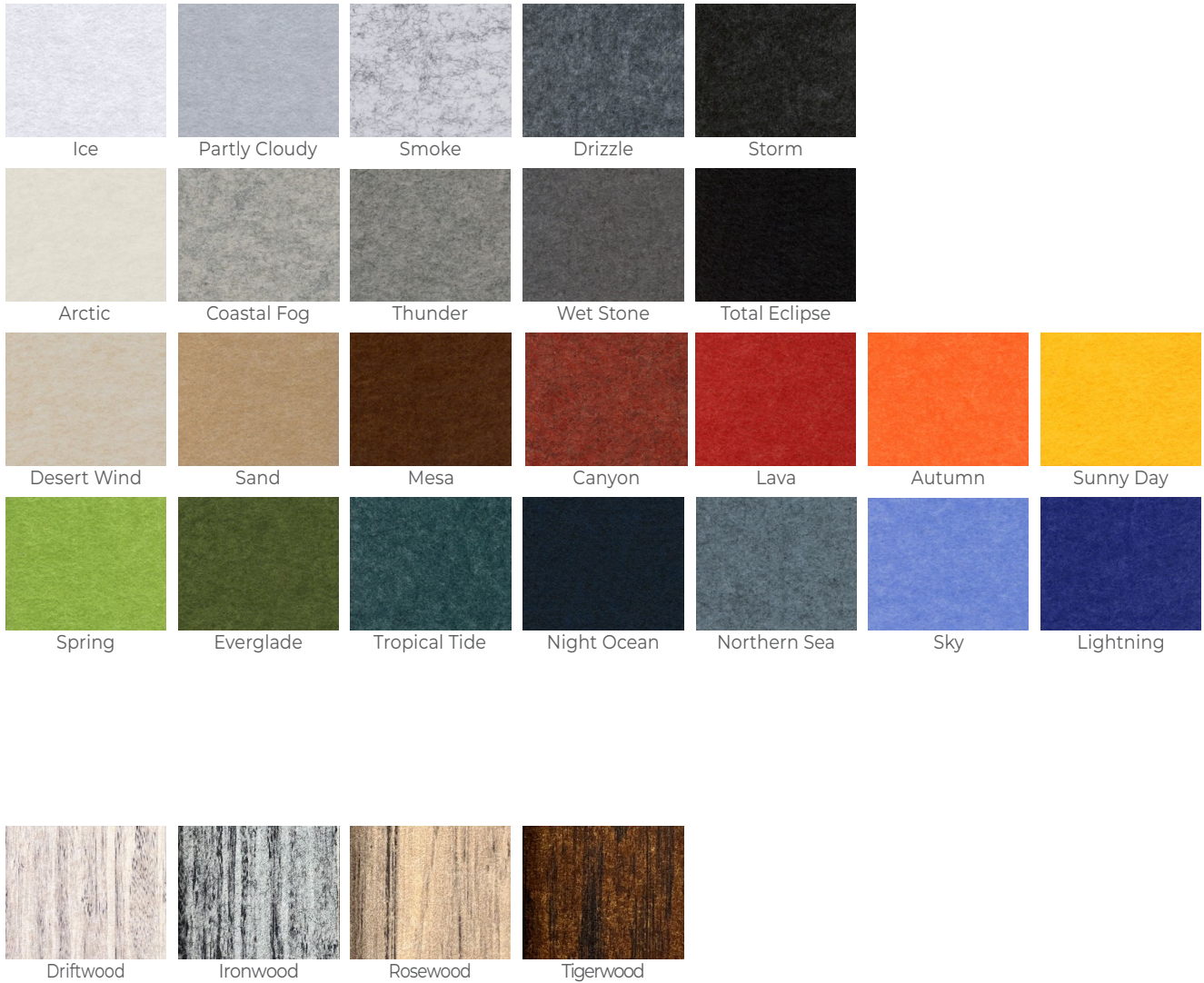
Friction Fit design can be flat-packed or preassembled for shipping.

Material Specs

Product	Novaform panel
Application	Ceiling, indoor only
Materials	100% polyester
Colors	24 Standard 4 Printed wood patterns
Custom	Variations available, request pricing
Panel Thickness	1/2" and 1"
Installation	See individual spec pages
Fire Rating	ASTME 84 Class A
Maintenance	Vacuum to remove loose dust Clean with warm water, a white rag, and clear mild dish detergent - spot test first, avoid rubbing aggressively
Recycled Content	60% Recycled polyester fiber + 40% virgin polyester fiber
NRC	.45 - .75
Environmental	No chemicals or waste by-products are generated during manufacturing process VOC Compliant

Novaform Baffles

PET Panel Color Palette



The nature of this material can result in color and texture variances across dye lots. Request samples to verify colors as they may also vary across digital and print media.