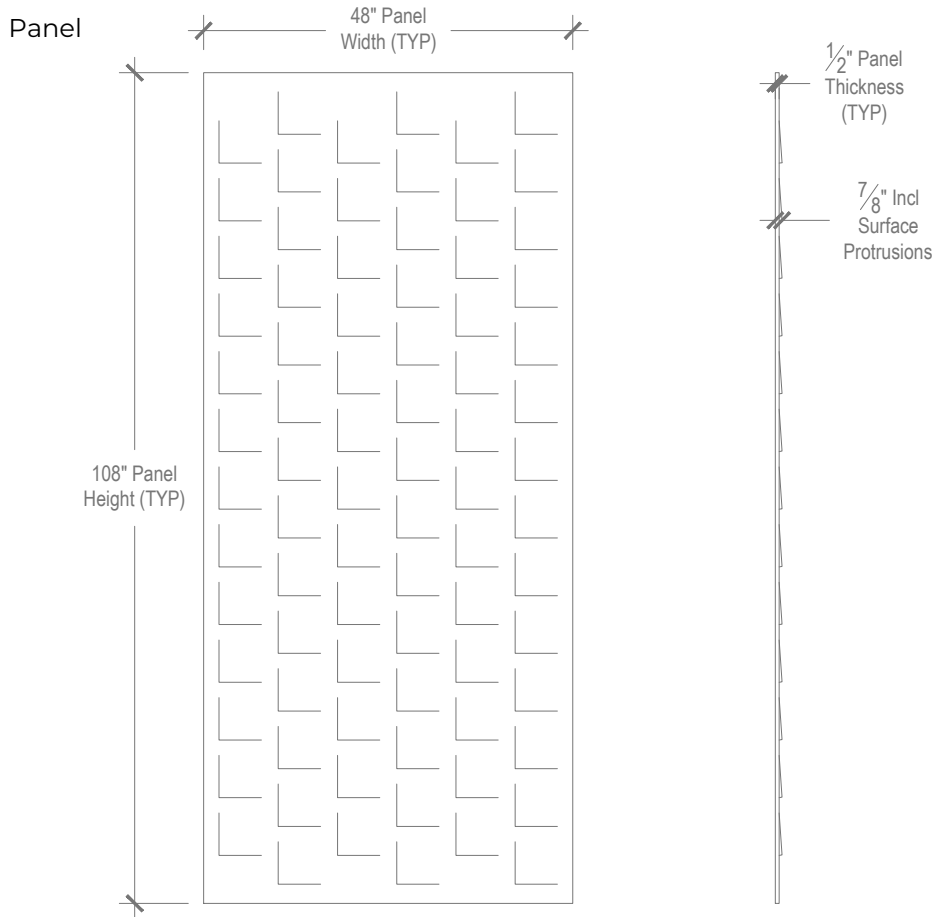


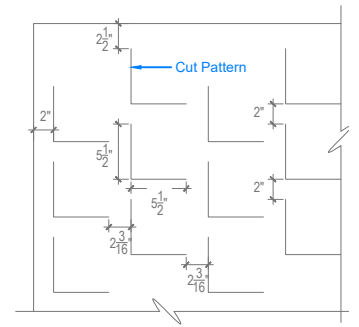
Push Panel: Slope



Panel Specifications

Panel Thickness	1/2" or 1"
Colors - PET	28
Colors - Felt	200+
Panel Size	TYP 48" x 108"
Material	100% Polyester
Recycled Content	60%
NRC	0.45 - 0.75
Fire Rating	Class A
Mounting	Direct glue, or optional Peel & Stick backing

Pattern Dimensions



Pattern Iteration

